

MarCator 1086

▶ | The new Digital Indicator **Marcator** 1086.

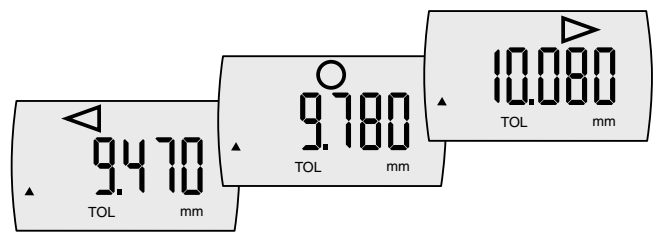
With the large display and the integrated tolerance function, your measurement results are clearly visual. | ◀

Clear display



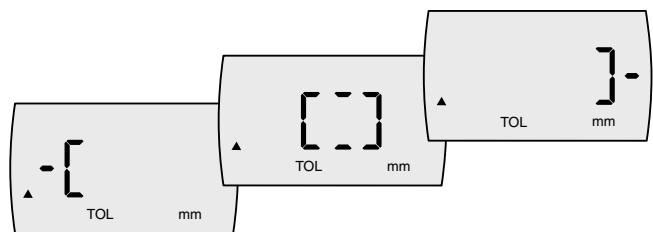
Tolerance indication in conjunction with the value being shown in the display.

Displayed is the actual measured value and the tolerance zone position



Tolerance indication without the value in the display.

In and Out of tolerance will be indicated in the display as a symbol.



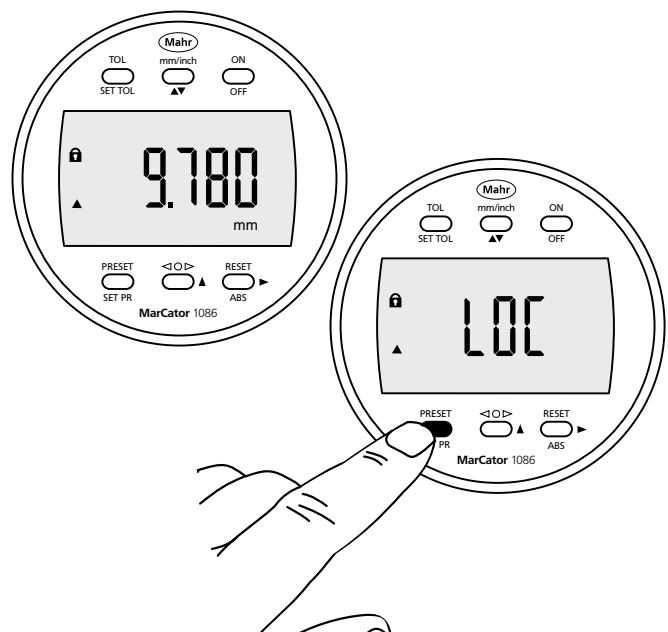
Error free operation



Lock-Function

This prevents unintentional activation of a operating button. Either all the operating buttons can be locked or only individual buttons.

If a locked operating button is pressed then „LOC“ with appear in the display.





Universal Data-Interface



USB

No interface box is required!
Simple and inexpensive way to set up a multiple measuring instruments via a USB hub



Digimatic

To connect a Digimatic compatible evaluation instrument



Mahr Opto RS232C

For direct connection to a COM port on a PC

Useful additional functions

Factor is adjustable a symbol with appear in the display

An example of application:

- Chamfer Gage



Absolute function:

Digital Indicator can be set in any position to 0.000 without losing the reference to the preset value.

Splash proof

IP Protection class IP54 (optional)

- Protection cap is sealed
- Rubber bellows for the measuring spindle
- Sealed battery compartment



Code Initials	IP	International Protection
First characteristic numeral	5	Dust-protected (ingress of dust is not entirely prevented)
Second characteristic numeral	4	Protected against water jets in any direction

Digital Indicator MarCator 1086 Z, with 3/8" mounting shank

Functions:

- ON/OFF
- RESET (Setting the display to zero)
- mm/inch
- Reversal of the counting direction
- PRESET (Allows the entry of any value using set buttons)
- TOL (Enter tolerance limit values)
- ABS (Display can be set to zero, without losing the reference to the Preset value)
- <O> (Tolerance GO / NO GO display mode)
- DATA (when connected with a data connection cable)
- Factor (adjustable)
- High contrast LCD with 11 mm high digits
- Inductive measuring system, battery life approx. 2000 hrs.
- Maximum measuring speed 1.5 m/s (60"/s)
- Lifter protection cap on the measuring spindle
- MarConnect data output: choose either
- USB
- OPTO RS232C
- Digimatic
- Operating temperature 10 - 40°C
- Class of protection IP42 in accordance to IEC 529

Supplied with:

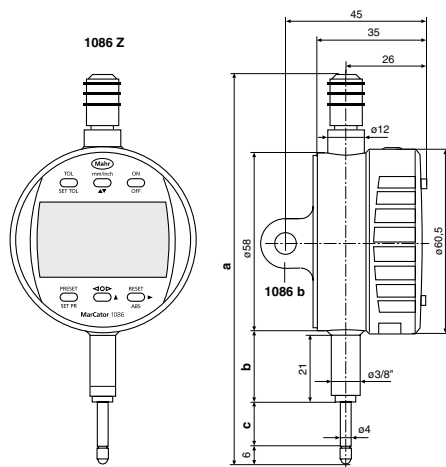
- Battery,
- Operating instructions



12.5 mm (.5")



25 mm (1")



Dimensions

Measuring range		a	b	c
mm	(inch)	mm	mm	mm
12.5	(.5")	126.3	23	13.5
25	(1")	153.4	26.8	26.5

Meas. range	Resolution	Span of error	Repeatability	Measuring force	Weight	Order no.
mm / (inch)	mm (inch)	mm	mm	N	g	
12.5 / (.5")	0.001 (.00005")	0.005	0.002	0.65 - 0.90	150	4337050
25 / (1")	0.001 (.00005")	0.005	0.002	0.65 - 1.15	160	4337051
12.5 / (.5")	0.01 (.0005")	0.02	0.01	0.65 - 0.90	150	4337055
25 / (1")	0.01 (.0005")	0.02	0.01	0.65 - 1.15	160	4337056

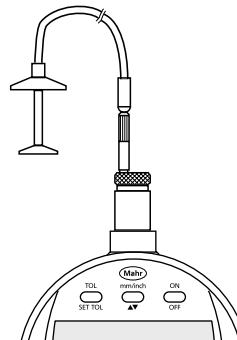
Accessories for 1086 / 1087

	Order no.
Battery 3V , Type CR 2450	4884464
Data Connection Cable Opto RS232C (2 m), with SUB-D jack 9-pin	16 EXr 4102410
Data Connection Cable Digimatic (2 m), Flat plug 10-pin	16 EXd 4102411
Data Connection Cable USB (2 m),	16 EXu 4102357
Cable Release for measuring ranges 12.5 and 25 mm	1085 a 4336311
Pneumatic Lifter for measuring ranges 12.5 and 25 mm	1082 p 4336237
Pneumatic Lifter for measuring ranges 50 and 100 mm	1082 p 4336230
Mounting Lug	1086 b 4337421

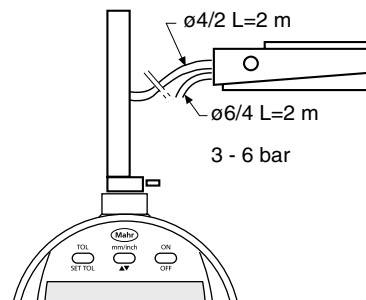
Additional Accessories such as Contact Points 901 - 913, Special Holder 941 or Sensor Lever 943 can be found in our main Catalog, Chapter 5

Accessories for Data Processing can be found in our main Catalog, Chapter 11

1085 a (12.5/25)



1082 p (12.5/25)



1082 p (50/100)

