

Digital 3D-Touch Probe MarTest 802 EW



Application:

Can be used on milling and CNC machines to

- determine the zero position on a work piece
- determine the center of a bore
- determine and correct the position of a work piece
- and for measurement of
 - lengths
 - depths

Functions:

- ON/OFF
- Auto OFF after 2 h

Excellent readability thanks to combined display:

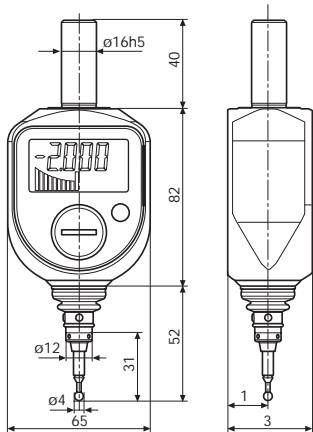
- bar graph for dynamic path information
- digital display for exact readings
- Can be controlled independently of a machine tool

- Large working range in all axes (X, Y, Z) prevents damage to the stylus by contacting errors
- Compact metal housing and long probe arm
- Shockproof movement
- **IP protection category:** IP 65
- **Scope of delivery:** Battery, Instruction manual, Stylus 802 EWt

Technical Data

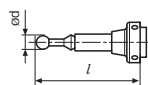
Order no.	4304300	4304305
Product type	802 EW	
Resolution	mm	0,005
Resolution	inch	.0001"
Working range X, Y,Z -Axis	-2 to 4 mm	-.0787" to .157"
Repeatability at zero, unidirectional	± 0,005 mm	± .0001"
Standard	Factory standard	

Order no.	Mounting shaft	Mounting shaft
	mm	inch
4304300	16	
4304305		.75"



Accessories

Order no.	Product description	Product type
4304320	Styluses ϕ 4,0 mm, l = 31 mm	802 EWt
4102520	Battery 3 V, CR 2032	



802 EWt

Mechanical 3D-Touch Probe MarTest 802 NW



- Large, high contrast dial face
- Can be controlled independently of a machine tool
- Large working range in all axes (X, Y, Z) prevents damage to the stylus by contacting errors
- Compact metal housing and long probe arm
- High accuracy and linearity
- Shockproof and waterproof, ideal for the use on a machine with a tool changer
- **IP protection category:** IP 67
- **Scope of delivery:** Battery, Instruction manual, Stylus 802 EWt

Application:

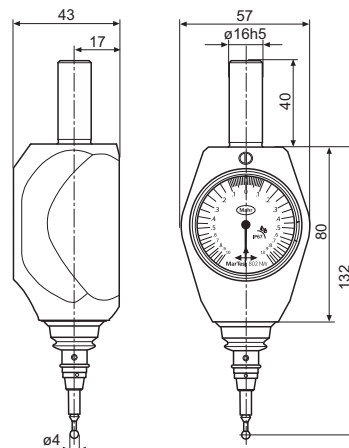
- Can be used on milling and CNC machines to
- determine the zero position on a work piece
 - determine the center of a bore
 - determine and correct the position of a work piece
 - and for measurement of
 - lengths
 - depths



Technical Data

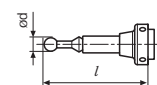
Order no.	4304311	4304312
Product type		802 NW
Readings	mm	0,01
Readings	inch	.0004"
Working range X, Y, Z -Axis	6,6 mm	.26"
Repeatability at zero, unidirectional	± 0,01mm	± .0004"
Standard		Factory standard

Order no.	Mounting shaft	Mounting shaft
	mm	inch
4304311	16	
4304312		.75"



Accessories

Order no.	Product description	Product type
4304320	Styluses \varnothing 4,0 mm, l = 31 mm	802 EWt
4304321	Styluses \varnothing 6 mm, l = 56,6 mm	802 NWt



802 EWt / NWt